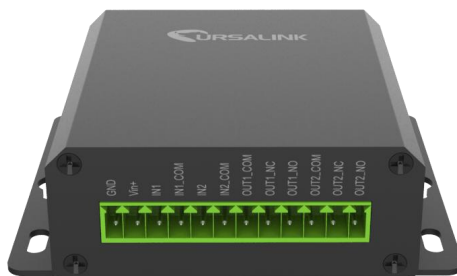




UC3X Series  
Cellular Remote I/O  
Quick Start Guide



## Welcome

Thank you for choosing Ursalink UC3X series remote cellular I/O.

This guide describes how to install the UC3X series remote cellular I/O and how to connect to Ursalink Cloud. Once you complete the installation, refer to the Ursalink UC3X User Manual for instructions on how to perform configurations on the device.

## Related Documents

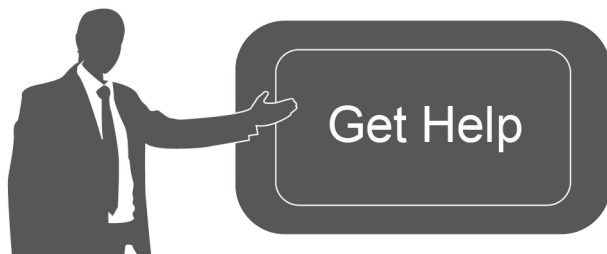
This Start Guide only explains the installation of Ursalink UC3X series remote cellular I/O. For more functionality and advanced settings, please refer to the relevant documents as below.

Document	Description
Ursalink UC3X Datasheet	Datasheet for the Ursalink UC3X series remote cellular I/O.
Ursalink UC3X User Guide	Users could refer to the guide for instruction on how to configure all the settings.

The related documents are available on Ursalink website: <http://www.ursalink.com>.

## Declaration of Conformity

Ursalink UC3X series remote cellular I/O is in conformity with the essential requirements and other relevant provisions of the CE, FCC, and RoHS.

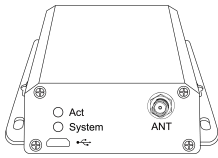


For assistance, please contact  
Ursalink technical support:  
Email: [support@ursalink.com](mailto:support@ursalink.com)  
Tel: 86-592-5023060  
Fax: 86-592-5023065

## 1. Packing List

Before you begin to install the UC3X series remote cellular I/O, please check the package contents to verify that you have received the items below.

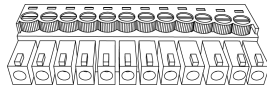
### 1.1 Package Contents



1 × UC3X



1 × Stubby  
Cellular Antenna



1 × 12-Pin Pluggable  
Terminal

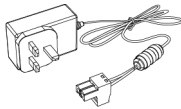


1 × Warranty Card



Setscrews

### Optional Accessories



1 × Power Adapter  
(Optional)



1 × Magnetic Mount  
Cellular Antennas  
(Optional)

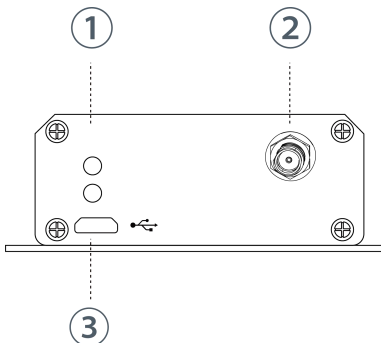


If any of the above items is missing or damaged, please contact your Ursalink sales Representative.

## 2. Hardware Introduction

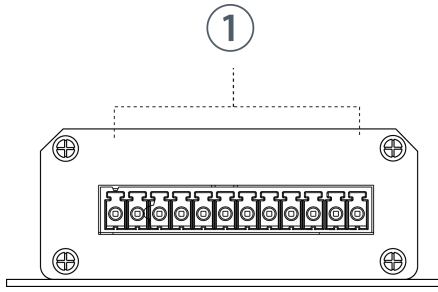
### 2.1 Overview

#### A. Front Panel



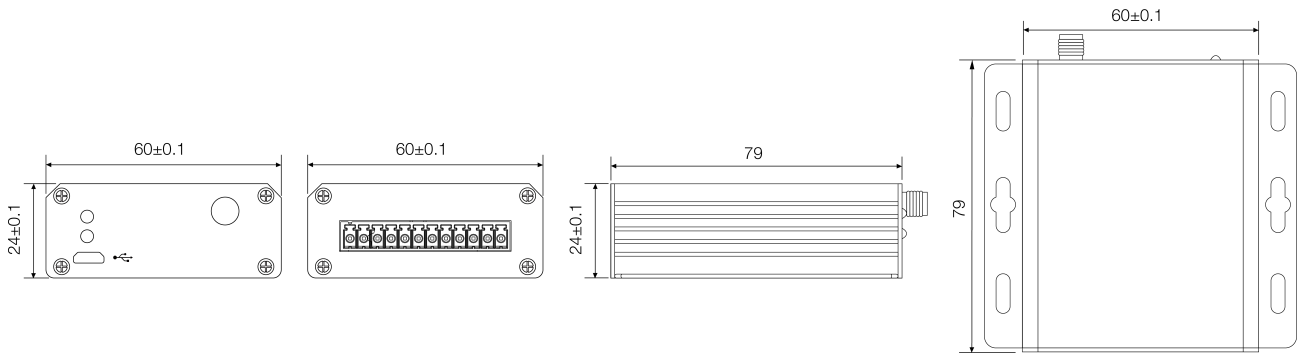
- ① LED Indicator Area  
System: System Indicator  
ACT: Network Indicator
- ② Cellular Antenna Connector
- ③ Micro USB Interface

## B. Rear Panel

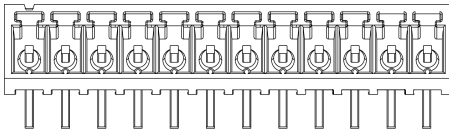


① 12-Pin Pluggable Terminal

## 2.2 Dimensions (mm)



## 2.3 Pinouts



PIN	Models		
	UC3X14	UC3X22	UC3X52
1	GND	GND	GND
2	VIN	VIN	VIN
3	IN1	NC	RXD
4	IN1_COM	AIN1+	TXD
5	IN2	AIN1-	GND
6	IN2_COM	AIN2+	A
7	OUT1_COM	AIN2-	B
8	OUT1_NC	IN	IN
9	OUT1_NO	IN_COM	IN_COM
10	OUT2_COM	OUT_COM	OUT_COM
11	OUT2_NC	OUT_NC	OUT_NC
12	OUT2_NO	OUT_NO	OUT_NO

## 2.4 LED Indicators

LED	Indication	Status	Description
System	System Status	Solid On	Equipment starts
		On for 500ms, off for 500ms	All OK
		On for 100ms, off for 100ms	Device can not connect to server
ACT	Network Status	Off	Network registration fails
		On for 75ms, off for 3000ms	Successfully registered on network
			Sending/Receiving MQTT message

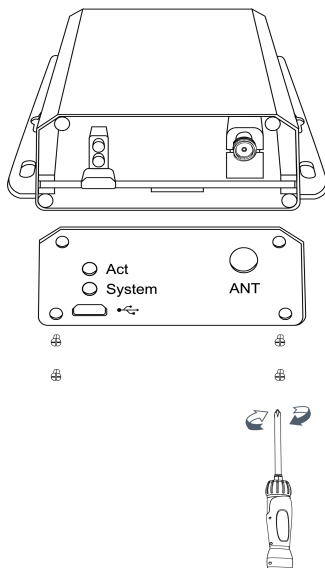
## 3. Hardware Installation

### Environmental Requirements

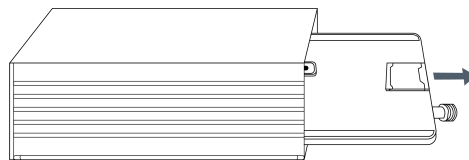
- Power Input: 5-24 VDC
- Operating Temperature: -40°C to 70°C (-40°F -158°F)
- Relative Humidity: 0% to 95% (non-condensing) at 25°C/77°F

### 3.1 SIM Card Installation

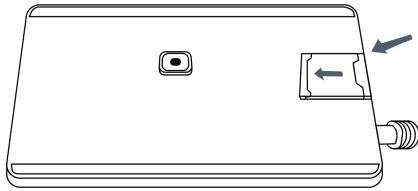
A. Unscrew the four screws in front panel of the device



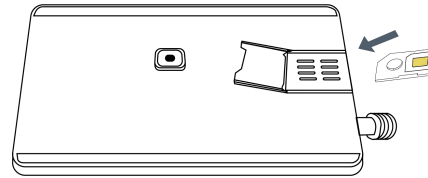
B. Takeout mother board from the case.



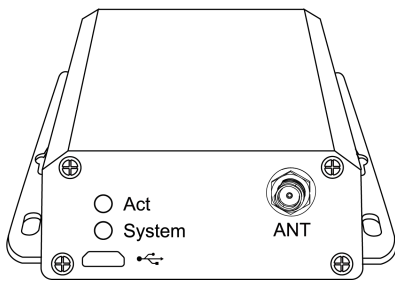
C. Push-down the SIM card cover and lift the cover



D. Install SIM card and close the sim card cover



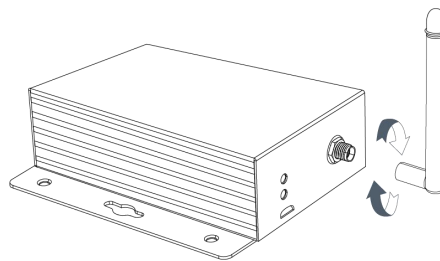
E. Re-install the mother board into the case



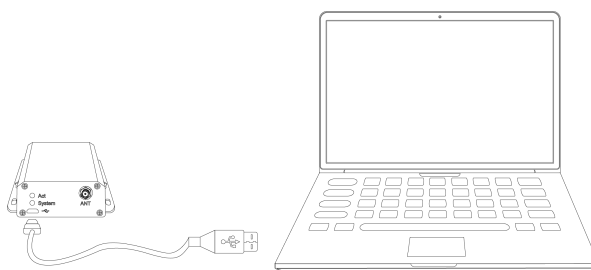
### 3.2 Antenna Installation

Rotate the antenna into the antenna connector accordingly.

The external cellular antenna should be installed vertically always on a site with a good cellular signal.

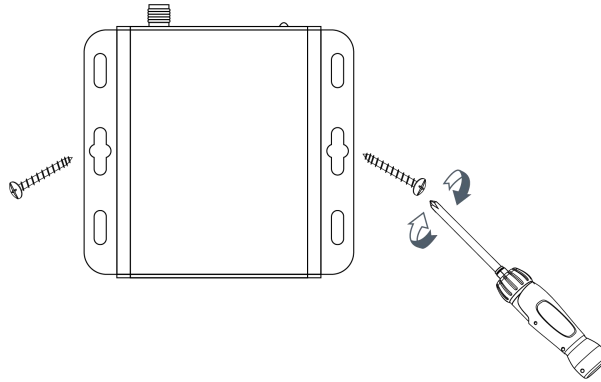


### 3.3 Connect the Router to a Computer



### 3.4 Mount the UC3X

Use 2 pcs of flat head Phillips screws to fix the UC3X onto the wall mounting.



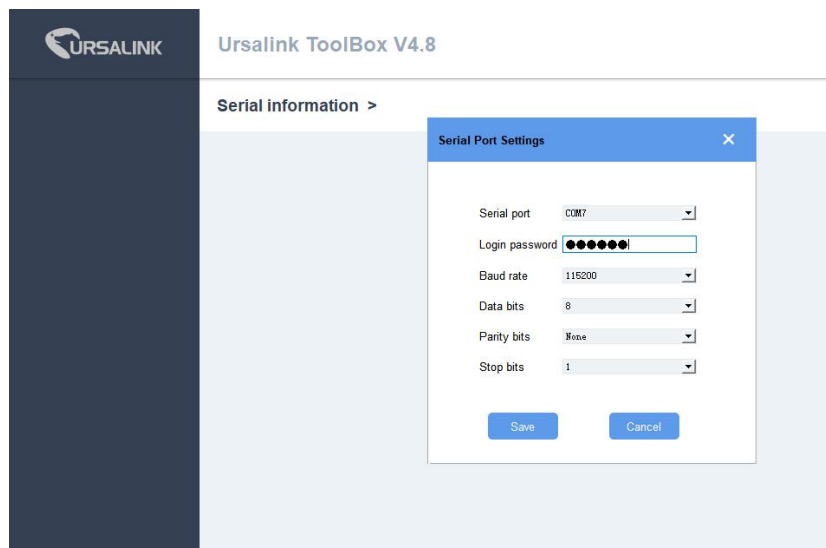
## Getting Started

### 4. Connect to Ursalink Cloud

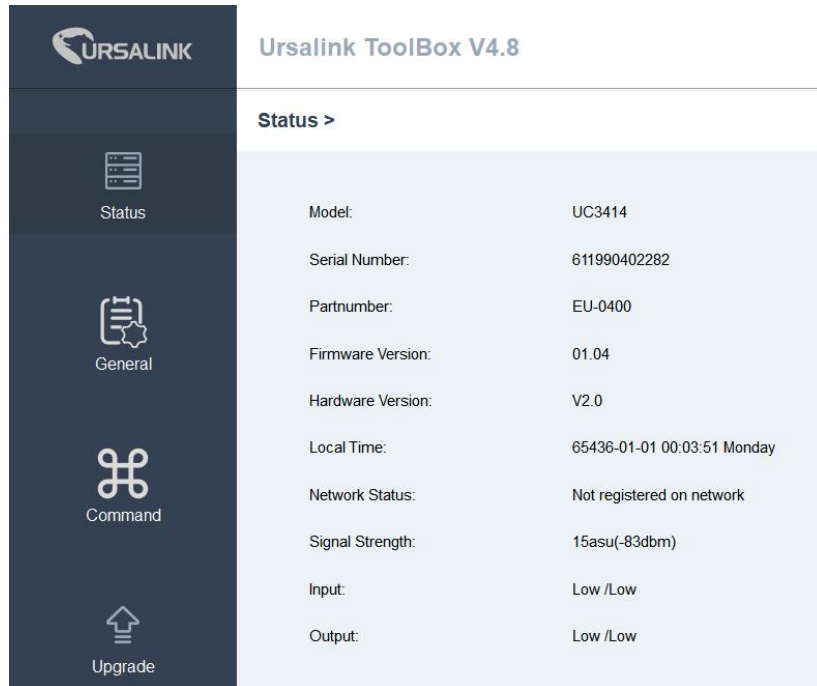
#### 4.1 Configure UC3X via Toolbox

Please connect PC USB port to micro USB port of UC3X series remote cellular I/O directly, PC Setup the Toolbox.

- ① Select Serial port and fill in the login password, default “123456”, then click “Save”

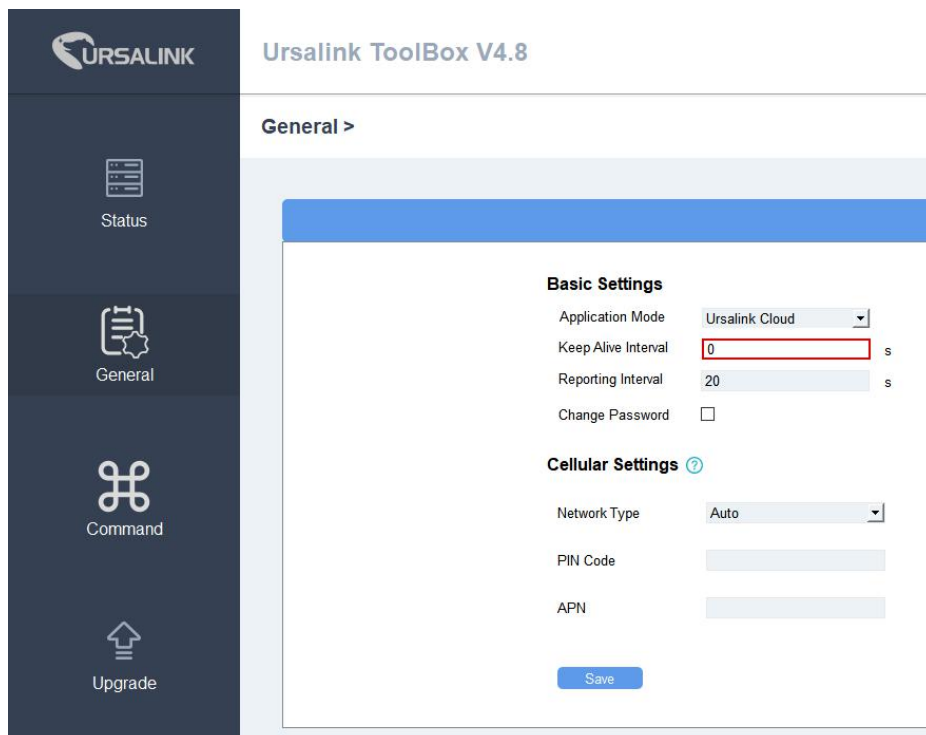


- ② Click “Status” to check status of the Remote I/O



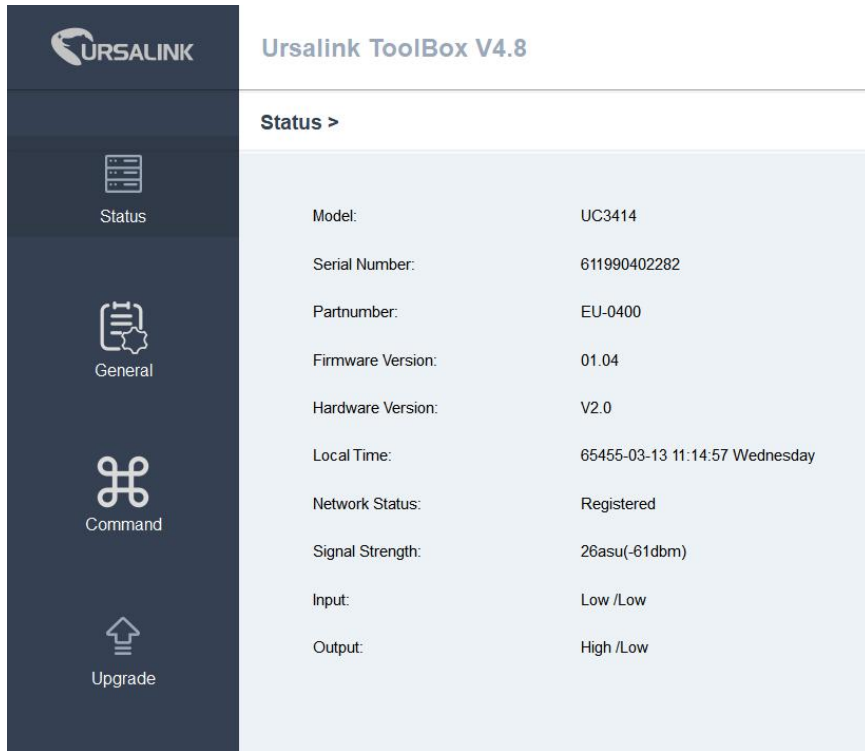
③ Click “General” configure the application mode, select “Ursalink Cloud” to connect to Ursalink Cloud, then configure the APN of the sim card and click “Save”.

**Note:** If you use other server, could dropdown and select TCP, AWS, for more details please check the user guide.



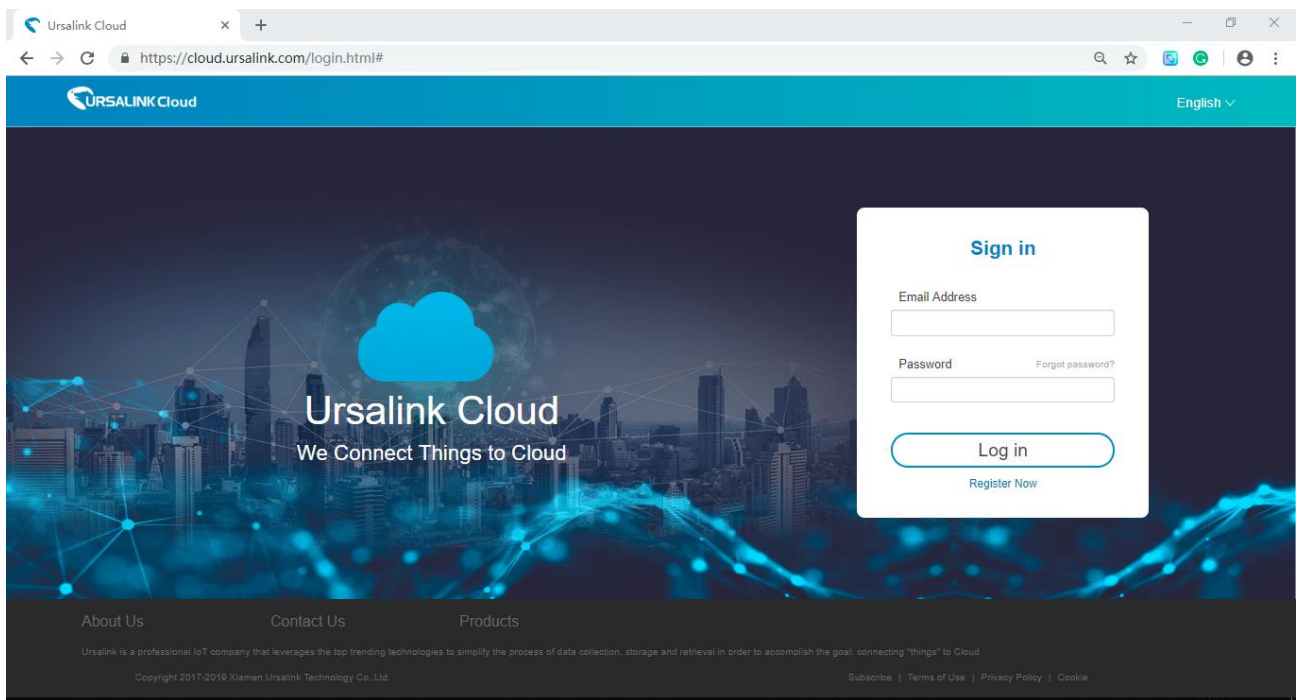
④ After could check the network status in “Status/Network Status”



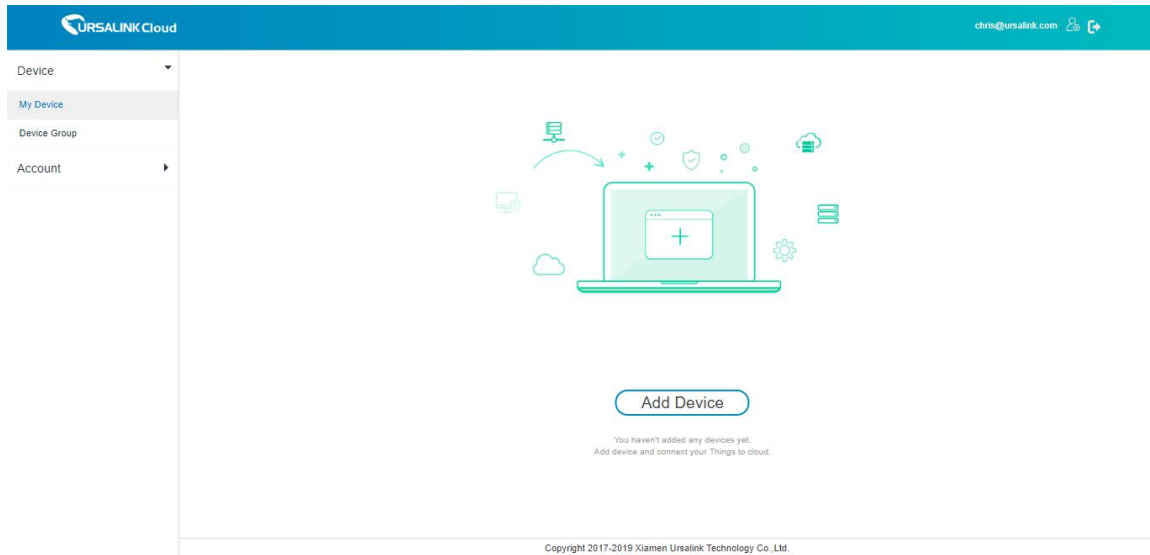


## 4.2 Ursalink Cloud configuration

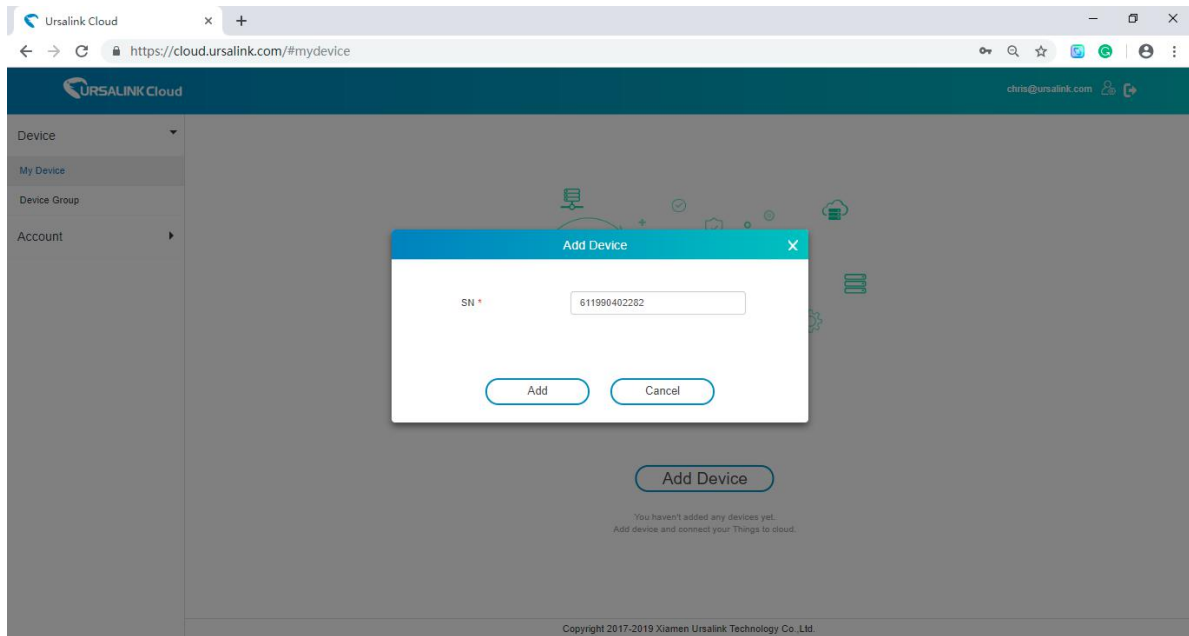
- 1 Register an account of the Ursalink cloud



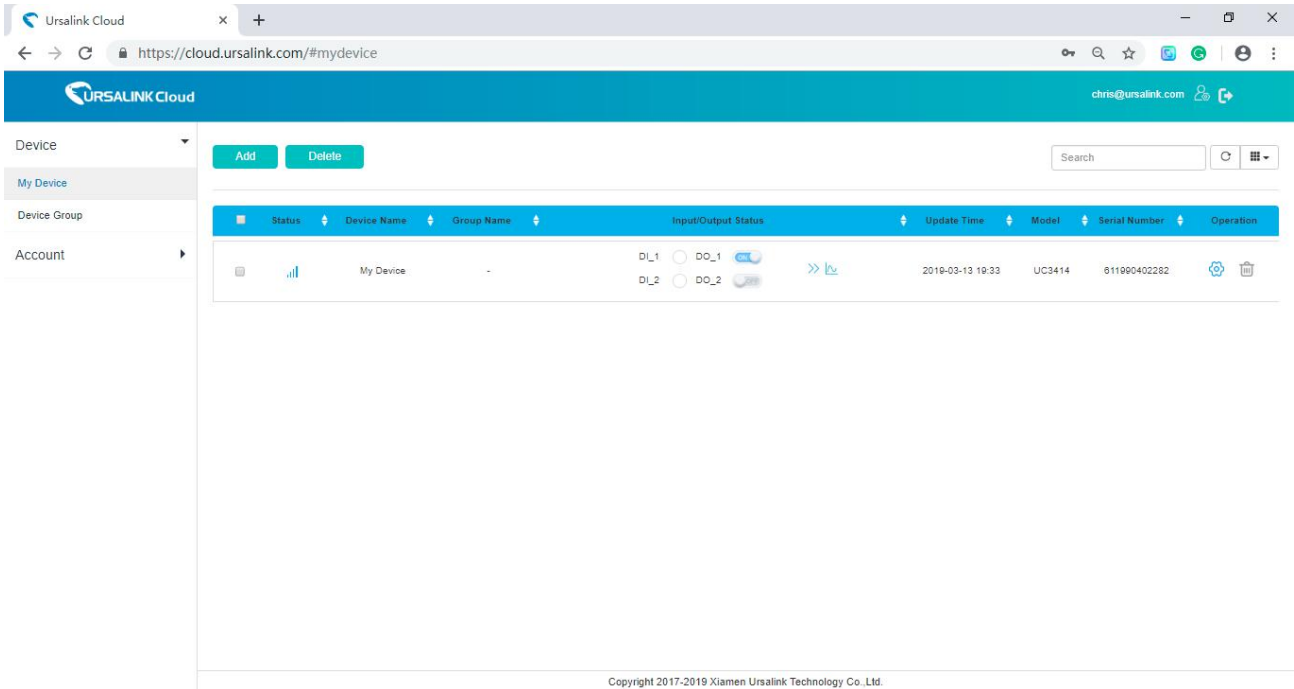
- 2 Login Ursalink Cloud and go to "Device/My Device" and Click "Add Device"



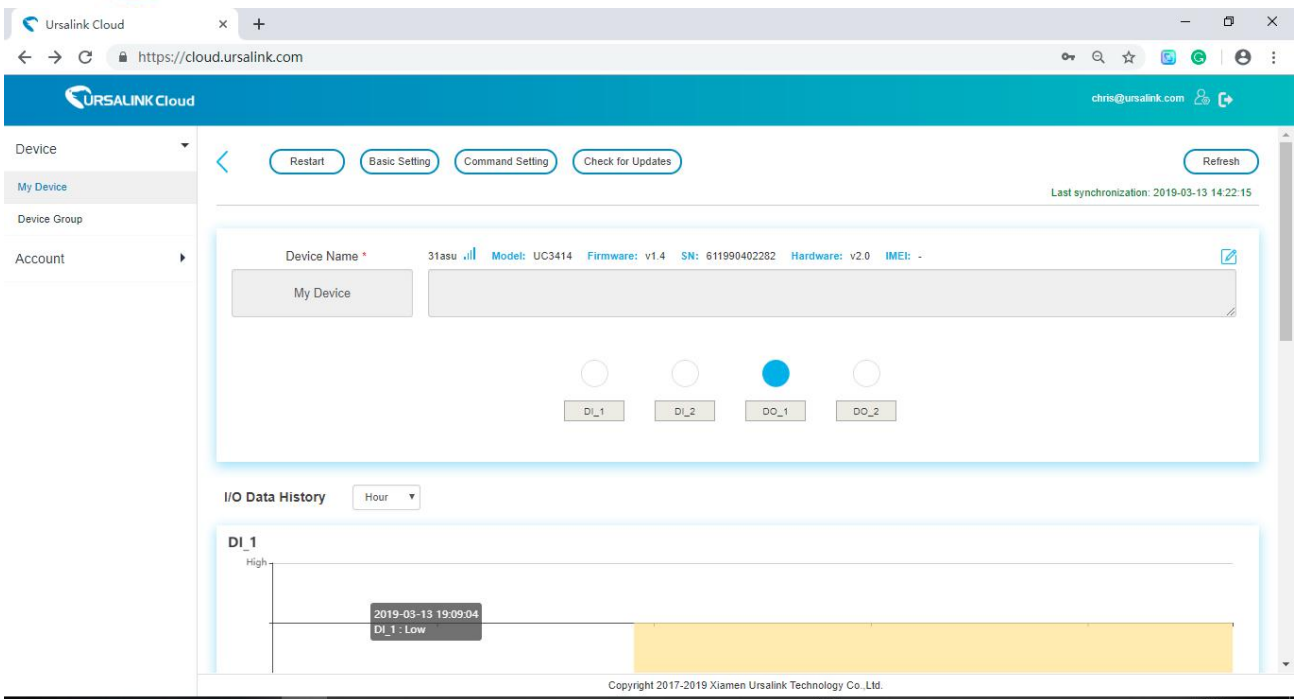
③ Fill in the SN of the UC3X, click “Add”



④ UC3X connected to Ursalink Cloud



5 Click to configure the UC3X from Ursalink cloud



**Note:** For More details, please refer to the UC3X user guide.

[END]