

60 SERIES

HC60W35R2

HC60W35R4



5MP Network TDN WDR IR Indoor Dome Camera



OPERATIONAL	HC60W35R2	HC60W35R4
Video Standard	NTSC / PAL	
Scanning System	Progressive	
Image Sensor (Size : H x V)	1/2.8" CMOS (5.18 x 3.89 mm)	
Number Of Pixels (H x V)	5 MP (2560 x 1920)	
Min. illumination (Color/B&W)	0.04 Lux / 0Lux (@F1.4, IR on)	0.04 Lux / 0Lux (@F1.6, IR on)
S/N Ratio	60 dB	
Electronic Shutter Speed	1/32000 ~ 1/30	
IR Distance	Up to 30 m (98 ft)	
IR Light Control	Smart IR (Auto / Manual) / OFF; External IR trigger by output	
IR Light Number	4	
Removable IR-Cut Filter	Yes	
Day/Night	Auto / Day / Night / Synchronize with digital input / Schedule	
Backlight Compensation	WDR, HLC	
White Balance	Auto / Fixed Current / Manual	
Gain Control	0-100 %	
Wide Dynamic Range	120 dB	
Noise Reduction	3D DNR	
Lens	2.7 ~ 13.5 mm, MFZ, P-IRIS, F 1.4 ~ F 2.8	7 ~ 22 mm, MFZ, P-IRIS, F 1.6 ~ F 2.9
Angle Of View	H: 100° ~ 30°, V: 72° ~ 23°	H: 39° ~ 16°, V: 29° ~ 12°
G-Sensor	Support Camera Direction OSD Display (Default - Off)	
Privacy Masking	Off / On (5 Areas)	
Defog	Support	
Encryption Chipset	Built-in FIPS encryption Chipset	
Local Storage	Micro SD / SDHC / SDXC card slot (up to 256 GB), SD Card encryption	
Micro USB	Support Wifi Dongle for configuration	
VIDEO		
Video Compression	H.265 HEVC / H.264 / MJPEG, Smart Codec	
Resolution (16/9)	2560 x 1440 / 1920 x 1080 / 1600 x 904 / 1360 x 768 / 1280 x 720 / 640 x 360	
Resolution (4/3)	2560 x 1920 / 1600 x 1200 / 1280 x 960 / 640 x 480	
Number of Video Streams	3	
Frame Rate Main Stream & Frame Rate Second Stream	2560 x 1440 / 1920 x 1080 / 1600 x 904 / 1360 x 768 / 1280 x 720 / 640 x 360 (1-25/30 fps), 1920 x 1080 / 1600 x 904 / 1360 x 768 / 1280 x 720 / 640 x 360 (1-50/60 fps), 2560 x 1440 (1-50 fps)	
Frame Rate Third Stream	1280 x 960 / 640 x 480 (1-25 / 30 fps) 1280 x 720 / 640 x 360 (1-50 / 60 fps)	
Bit Rate (Control)	20 K ~ 80 Mbps	
AUDIO		
Audio Compression	G.711A / G.711MU / G.726	
Audio Stream	Full duplex, Simplex	
Audio Interface	Line In / Out, Built-in Microphone	

NETWORK	
Ethernet	10 Base-T / 100 Base-TX Ethernet (RJ-45)
Supported Web Browsers	Chrome 79.0 Internet Explorer 11
Supported OS	Microsoft Windows 10
Protocols*	IPv4, IPv6, TCP / IP, HTTP, HTTPS, UPnP, RTSP / RTP / RTCP, IGMP / Multicast, CIFS / SMB, SMTp, DHCP, NTP, DNS, DDNS, CoS, QoS, SNMP, 802.1X, UDP, ICMP, ARP, TLS
Interoperability	ONVIF Profile G / S
Maximum Users Access	10 Users
Security	User account and password protection, HTTPS, IP Filter, Digest authentication, TLS1.2 only, Stream encryption, AES128 / 256, SSH / Telnet closed, PCIDSS compliance, FIPS Chipset Built-In
Languages Supported	English, French, German, Italian, Japanese, Portuguese, Russian, Spanish, Traditional Chinese
EVENTS / ANALYTICS	
Built-in Video Analytics	Intrusion, Loiter, Line crossing, Unattended object, Missing object, Face detection
Event type	Video motion detection, Periodically, Alarm input, System boot, Recording notification, Camera tampering detection
Event linkage	Event notification using digital output, HTTP, Email and MicroSD card
Region Of Interest	5
ELECTRICAL	
Power Supply	12 VDC / 24 VAC (50 / 60 Hz), PoE (IEEE 802.3 af, Class 0)
Power Consumption	MAX 12.95 W
Alarm Inputs / Outputs	2 In / 1 Relay Out
MECHANICAL	
Dimensions (Ø x H)	Ø 126.0 mm x 122.0 mm (Ø 5.0" x 4.8")
Dome diameter	91.0 mm (3.6")
Product Weight	0.58 kg (1.28 lb)
Package Weight	1.14 kg (2.51 lb)
Body Material	Polycarbonate / Metal (die casting aluminum with liquid painting)
Construction Color	RAL 120-1 (Lyric White)
ENVIRONMENTAL	
Operating Temperature	Starting Temperature: 0 °C ~ 60 °C (32°F ~ 140 °F) Working Temperature: -10 °C ~ 60 °C (14 °F ~ 140 °F)
Relative Humidity	Less than 90 %, non-condensing
Ingress Protection	IP 52
Impact Resistance	IK 10 (bubble only)
REGULATORY	
Emissions	FCC PART 15, CE (EN 55032)
Immunity	CE (EN 50130-4)
Safety	UL LISTED TO UL / CSA 62368-1, CE (EN 62368-1)
RoHS	CE (EN 50581), EAC (TR EAEU 037 / 2016), UAE (Cabinet Decree No.10 of 2017)
Country of Origin	Taiwan

60 SERIES 5MP NETWORK TDN WDR IR INDOOR DOME CAMERA

SYSTEM COMPATIBILITY	
Pro-Watch NVR	Up to 256 IP channels RAID5/6 Enterprise NVR
MAXPRO NVR PE	Up to 128 IP channels RAID5/6 Enterprise NVR
MAXPRO NVR SE	Up to 64 IP channels System NVR
MAXPRO NVR XE	Up to 16 IP channels System NVR
MAXPRO NVR SOFTWARE	Up to 128 IP channels Recording Software
ADPRO NVR FastTrace 2E	Up to 32 IP channels with up to 32 VA channels NVRs
ADPRO NVR iFT-E	Up to 32 IP channels with up to 32 VA channels NVRs
ADPRO NVR iFT	Up to 32 IP or 16 IP channels with up to 16 VA channels NVRs
ADPRO NVR iFT Gateway	4 IP channels + 4 VA channels
HEN*4	8/16/32/64-channel Performance Series NVRs (H.264/H.265)
Honeywell DVM	Supported with Honeywell DVM R700 , DVM R620

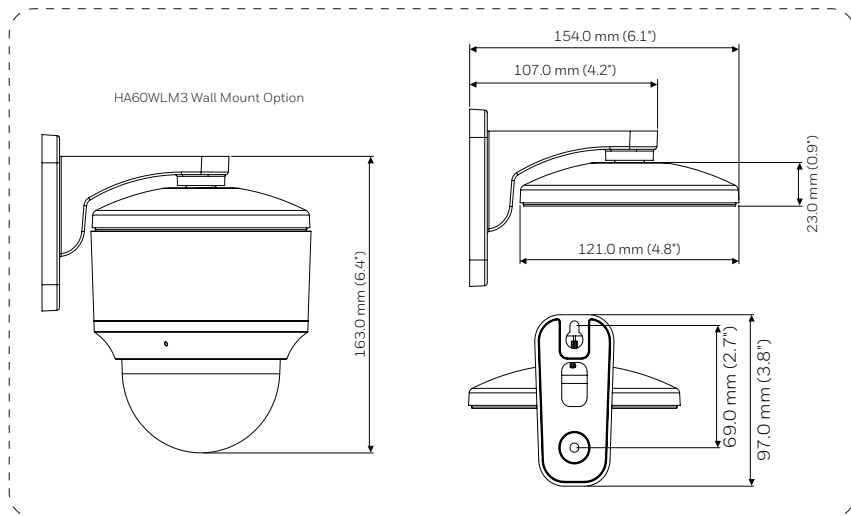
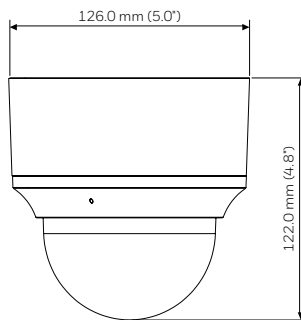
OPTIONAL MOUNTS AND ACCESSORIES	
HA60WLM3	Wall Mount Bracket, white
HA60PMC3	Pendant mount cap for 3" dome, white
HA60CB3	Replacement Dome, 60 series indoor bubble (Clear)
HA60SB3	Replacement Dome, 60 series indoor bubble (Smoke)
HA60WIF	Wifi dongle and USB adapter for camera configuration



Learn more about 60 Series accessories compatibility

ORDERING	
HC60W35R2	5MP Network IR Indoor Dome Camera, WDR 120 dB, 1/2.8" CMOS, 2.7-13.5 mm MFZ, 4 IR LEDs, PoE, H.265 HEVC Smart Codec, IP52, Built-in Microphone, White
HC60W35R4	5MP Network IR Indoor Dome Camera, WDR 120 dB, 1/2.8" CMOS, 7-22 mm MFZ, 4 IR LEDs, PoE, H.265 HEVC Smart Codec, IP52, Built-in Microphone, White

DIMENSIONS



For more information

www.security.honeywell.com/uk
www.security.honeywell.com/me

Honeywell Commercial Security

Honeywell Security Office -
 Emaar Business Park,
 Sheikh Zayed Road
 Building No. 2, 2nd floor, 201
 Post Office Box 232362
 Dubai, United Arab Emirates
 Tel: +971 44541704



ONVIF and the ONVIF logo are trademarks of ONVIF Inc.
 HEVC Advance logo is a trademark of HEVC Advance
 Honeywell reserves the right, without notification, to
 make changes in product design or specifications.

Aston Fields Road
 Whitehouse Industrial Estate
 Runcorn, Cheshire, WA7 3DL
 United Kingdom
 Tel: +44 (0)8448 000 235
www.honeywell.com

HSV-HC60W35Rx-01-UK(0520)DS-Z
 © 2020 Honeywell International Inc.

Honeywell