

PQube[®] 3 ENV2 EnviroSensor[®] Probe



Ambient temperature, humidity, barometric pressure and 3-axis acceleration – Use them all to help diagnose intermittent problems!

Add an ENV2 EnviroSensor, and your PQube 3 automatically triggers on user-selected alarm thresholds. Long-term trends over days, weeks and even months are also recorded.

If you connect two ENV2 probes to your PQube 3. You can compare, for example, compare temperature/humidity conditions inside and outside your equipment, and even detect clogged air filters (using differential barometric pressure).

Can mechanical bumps or jolts disturb your sensitive equipment? Your ENV2 probe automatically creates a time-stamped recording of the problem, complete with a graph. And it can even detect seismic events like earthquakes, and record just how rough they were right at your sensitive equipment!



Product Highlights

- Ultra-compact - the size of a match box. The ENV2 fits virtually everywhere.
- Easy to install – install the sensor and connect it to one of the PQube3 USB ports. That's all!
- Easy to visualize - temperature/humidity/barometric pressure are visible via the PQube 3 touch screen display
- Easy to monitor remotely - view your instantaneous short term trends via Modbus, or any web browser
- Evaluate and correlate power quality with the environmental conditions, including mechanical shocks/accelerations, that can possibly be the root cause of an equipment malfunction.
- ENV2 probes don't use up any of your 4 analog inputs! Your PQube 3 will continuously record them in its internal memory for up to 1 year.

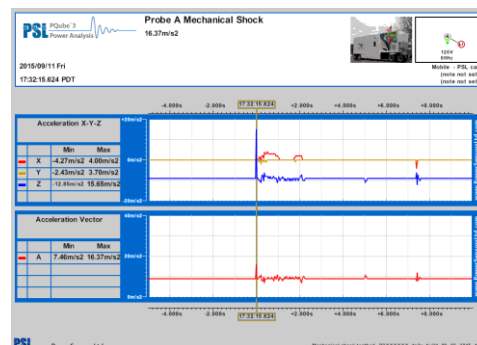
Sample measurements



PQube3 screen of ambient conditions at a data center



Temperature/ humidity/ barometric pressure: Daily trend

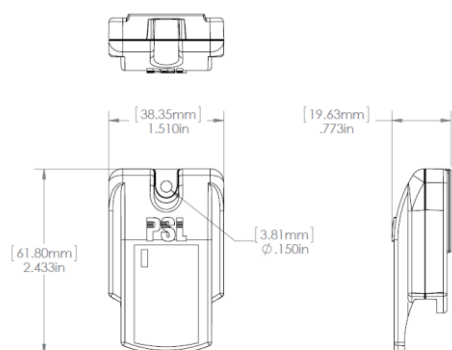


Mechanical shocks can damage MRI equipment, affect precision alignment in semiconductor equipment

Specifications

Environment parameters		
Characteristics		Sampling rate
Temperature	Range: -20°C ~ +80°C (-4°F ~ +176°F)	Typical 1 sample/second
Humidity	Range: 0%~ 100%RH. Useful range : 20 ~ 80%RH	Typical 1 sample/second
Barometric Pressure	Indicative measurement: resolution: < 0.001hPa	Typical 1 sample/second
Acceleration	<ul style="list-style-type: none"> Full-scale acceleration: +/-2g, +/-4g, or +/-8g, user-selected Acceleration recording buffer size: 480 samples Buffer is 33% pre-trigger, 67% post-trigger 	32, 16 or 8 samples/s, user-selected (corresponds respectively to 15, 30 or 60 second buffer)
Acceleration triggers	<ul style="list-style-type: none"> Mechanical shock/vibration (sudden changes in acceleration): User-selected threshold: 0.003g/ms ~ 0.4g/ms Seismic (optimized for tiny accelerations in the frequency range of 0.1Hz to 10Hz) User-selected threshold: 0.001g ~ 1.24g Tilt (absolute angle, or angle deviation from a steady attitude, user-selected): User-selected threshold: 0° ~ 180° 	
Connection-installation	ENV2 connected with a USB cable (provided) to any PQube3 USB port.	

Dimensions



Order Information

Order Part Numbers:

- ENV2-THPA-2M-xx (EnviroSensor probe with 6 ft/2m USB cable)
- ENV2-THPA-5M-xx (EnviroSensor probe with 15 ft/5m USB cable)
- ENV2-EXT-CABLE-5M-xx : (15ft/5m USB extension cable)