

Antenna-Roof-2L

Roof mounted antenna.



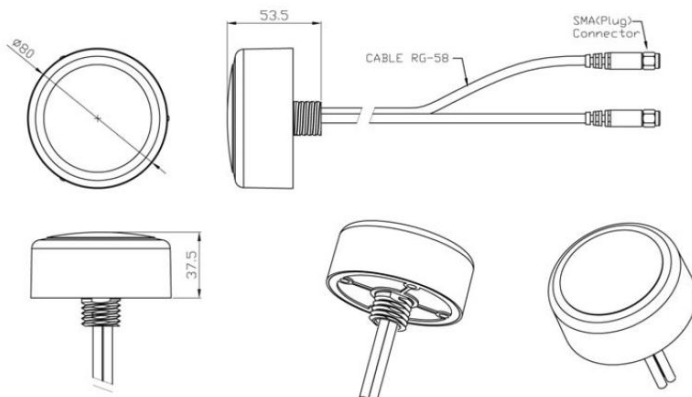
Applications

- Tracking
- Navigation
- Remote management
- Internet access
- GPS Navigation
- Telemetry Application
- Fleet management

MIMO design - Two LTE antennas to improve the communication performanceThe Antenna-Roof-2LG is the LTE MIMO Antenna, which covers 700~2700MHz. It is specially designed for 2G, 3G and 4G applications.

Features

- MIMO
- LTE/UMTS/GSM



Unit: mm

Specifications

LTE

Frequency 704~960MHz; 1710~2690MHz
Main antenna gain 6.1dBi @ 704~960MHz, 5.47dBi@ 1710~2690MHz, with 3m RG-58 cable
Sub antenna gain 4.91dBi @ 704~960MHz, 4.45dbi @ 1710~2690MHz,
with 3m RG-58 cable
V.S.W.R: <2.4
Band Width: 256MHz for 704MHz~960MHz, 980MHz for 1710MHz~2690MHz
Impedance: 50 Ohm
Cable/Connector: 3 Meter-RG-58, SMA or other standard connectors
Polarization: Linear
Power Handling Capacity: 10W
Dimension: Ø80 × 53.5(L) mm
Operation Temperature: -40°C~+80°C
Storage Temperature: -45°C~+100°C

NetModule AG
Meriedweg 11
3172 Niederwangen

T +41 31 985 25 10
F +41 31 985 25 11

Switzerland

NetModule GmbH
Frankfurter Strasse 92
65760 Eschborn

T +49 6196 77 99 79 0
F +49 6196 77 99 79 9

Germany